

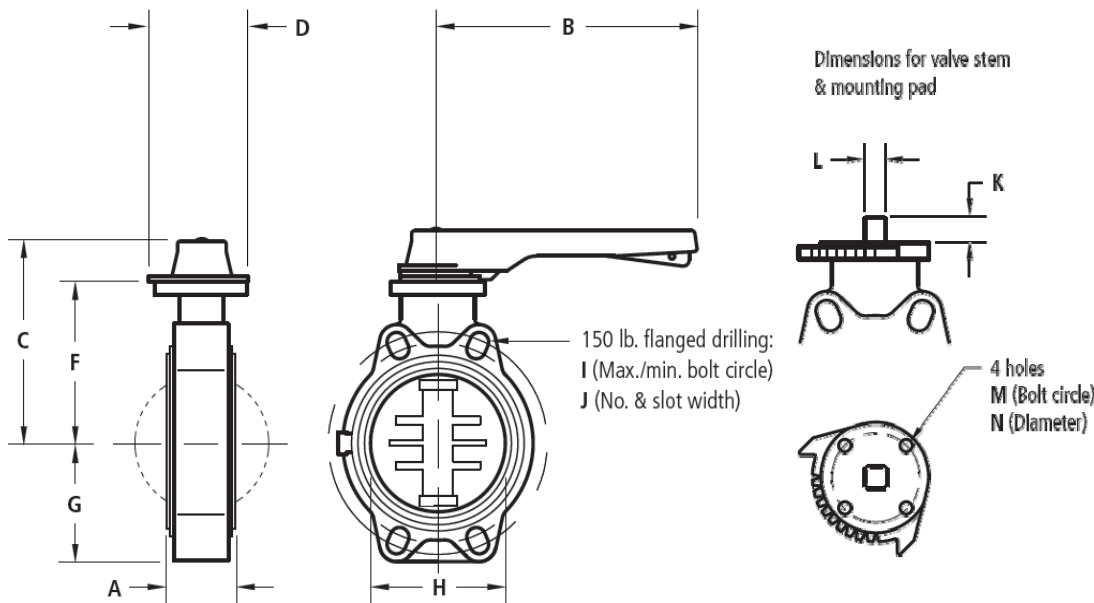
# >PVC Wafer Butterfly Valve

## Model CRVP107FE



### Valve Features:

- Wafer Style Body, ANSI 150
- PVC Body & Disc, EPDM Seats & Seals
- Direct Mount Actuator Pad per ISO 5211
- Pressure range: 1-1/2" - 2": 232 psi, 2-1/2" to 8": 150 psi
- Temperature Range 32°F to 140°F
- Actuator Configurations: Electric, Pneumatic, Lever Handle, or Manual Gear Wheel
- ASTM D1784 and ANSI B16.5



PARTS	
Shaft	Zinc Plated Steel
Shaft O-Ring	EPDM
Retaining Ring	Stainless Steel
Bushing O-Ring	EPDM
Bushing	Nylon
Body	PVC
Disc O-Ring	EPDM
Anti-Friction Ring	PTFE
Disc	PVC
Primary Liner	EPDM
Pad	PVC

Size (in)	A	B	C	D	F	G	H	I (max)	I (min)	J	Wt (lbs)	K	L (mm)	ISO	M (mm)	N (mm)	CV
1-1/2"	1.30	6.89	5.35	3.42	4.17	2.36	1.57	4.29	3.68	(4) .75	1.8	0.47	11	F05	50	7	70
2"	1.69	6.89	5.63	3.42	4.45	2.76	1.97	4.88	4.25	(4) .75	2.2	0.47	11	F05	50	7	90
2-1/2"	1.81	9.84	6.61	3.86	4.84	3.15	2.56	5.67	5.04	(4) .75	3.1	0.47	11	F05/F07	50/70	7 / 9	119
3"	1.93	9.84	7.17	3.86	5.59	3.54	3.15	6.26	5.71	(4) .75	3.6	0.63	14	F07	70	9	249
4"	2.20	9.84	7.72	3.86	5.98	4.13	3.94	7.48	6.50	(4) .75	4.4	0.63	14	F07	70	9	413
5"	2.52	13.19	8.46	3.86	6.93	4.76	4.92	8.46	8.03	(4) .91	6.7	0.75	17	F07	70	9	690
6"	2.76	13.19	9.02	3.86	7.44	5.20	5.91	9.53	9.06	(4) .91	8.2	0.75	17	F07	70	9	1309
8"	2.80	16.73	12.17	5.79	8.46	6.34	7.87	11.73	11.02	(8) .91	18.2	0.94	22	F10	102	11	2135