



CR-TEC Thermoplastic ball valves offer a variety of advanced features, including the patented seat stop carrier, a high quality stem and ball support system, and a multifunctional locking handle. The new DUAL BLOCK® system locks the union nuts preventing back-off due to vibration or thermal cycling. A highly polished ball reduces torque and improves sealing.



ASTM D1784
ASTM D2464
ASTM D2466
ASTM D2467
ASTM D4101
ASTM F437
ASTM F439
ASTM F1498

Deep grooves, thick O-rings and cushioned PTFE seats contribute to strong seals at pressures up to 232 PSI. Direct actuator mounting flange to ISO-5211 dimensions is available.

Available from CR-TEC with manual handles, pneumatic or electric actuators.



ISO 11922-1



ANSI B1.20.1

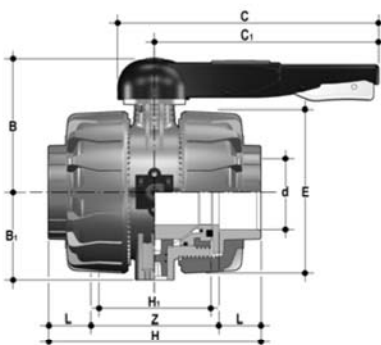
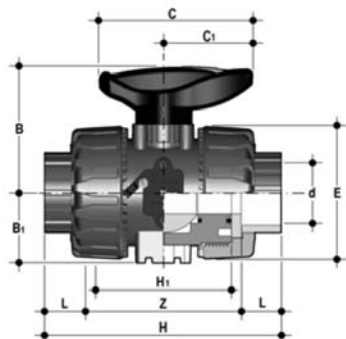
Valve Availability:

Body Material:	PVC, CPVC, PP, ABS
Size Range:	3/8" through 4"
Pressure:	232 psi, (150 psi for PP)
Seats:	PTFE
Seals:	EPDM or Viton (FPM)
End Connections:	Threaded NPT, Socket (Inch or Metric)

dimensions



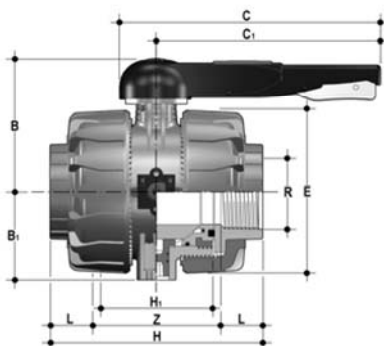
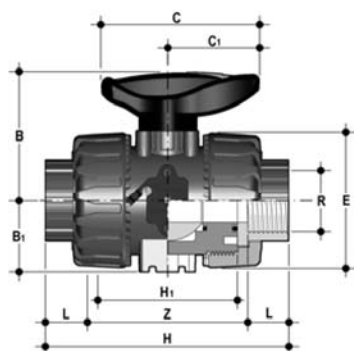
IPS socket connections



Dimension (inches)

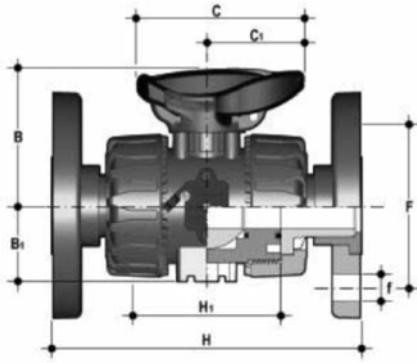
Size	d	H	L	Z	H ₁	E	B ₁	B	C ₁	C
3/8	0.68	4.61	0.77	3.07	2.56	2.13	1.14	2.13	1.57	2.64
1/2	0.84	4.61	0.89	2.83	2.56	2.13	1.14	2.13	1.57	2.64
3/4	1.05	5.08	1.00	3.07	2.76	2.56	1.36	2.56	1.93	3.35
1	1.32	5.59	1.13	3.33	3.07	2.87	1.54	2.74	1.93	3.35
1-1/4	1.66	6.38	1.26	3.86	3.46	3.39	1.81	3.25	2.52	4.25
1-1/2	1.90	6.77	1.38	4.02	3.66	3.86	2.05	3.50	2.52	4.25
2	2.38	7.83	1.50	4.83	4.37	4.80	2.44	4.25	2.99	5.28
2-1/2	2.88	9.25	1.75	5.75	5.24	6.46	3.43	6.46	6.89	8.86
3	3.50	10.63	1.89	6.85	5.87	7.99	4.13	6.97	10.71	12.87
4	4.50	12.13	2.26	7.60	6.57	9.37	5.08	7.68	12.99	15.16

female NPT threaded connections



Dimension (inches)

Size	R	H	L	Z	H ₁	E	B ₁	B	C ₁	C
3/8	3/8-UPT	4.06	0.54	2.98	2.56	2.13	1.14	2.13	1.57	2.69
1/2	1/2-NPT	4.37	0.70	2.97	2.56	2.13	1.14	2.13	1.57	2.64
3/4	3/4-NPT	4.61	0.71	3.19	2.76	2.56	1.36	2.56	1.93	3.35
1	1-NPT	5.31	0.89	3.54	3.07	2.87	1.54	2.74	1.93	3.35
1-1/4	1-1/4-NPT	6.02	0.99	4.05	3.46	3.39	1.81	3.25	2.52	4.25
1-1/2	1-1/2-NPT	6.14	0.97	4.20	3.66	3.86	2.05	3.50	2.52	4.25
2	2-NPT	7.32	1.17	4.99	4.37	4.80	2.44	4.25	2.99	5.28
2-1/2	2-1/2-NPT	9.25	1.31	6.64	5.24	6.46	3.43	6.46	6.89	8.86
3	3-NPT	10.63	1.40	7.83	5.87	7.99	4.13	6.97	10.71	12.87
4	4-NPT	12.13	1.48	9.17	6.57	9.37	5.08	7.68	12.99	15.16

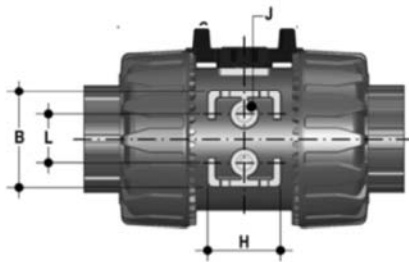


Dimension (inches)

Size	H	H1	B	B1	C	C1	F	f	U
1/2"	5.63	2.56	2.13	1.14	2.64	1.58	2.37	0.63	0.16
3/4"	6.77	2.76	2.56	1.36	3.35	1.93	2.75	0.63	0.16
1"	7.36	3.07	2.74	1.54	3.35	1.93	3.13	0.63	0.16
1 1/4"	7.48	3.47	3.25	1.81	4.25	2.52	3.5	0.63	0.16
1 1/2"	8.35	3.66	3.5	2.05	4.25	2.52	3.87	0.63	0.16
2"	9.21	4.37	4.25	2.44	5.28	2.99	4.75	0.75	0.16

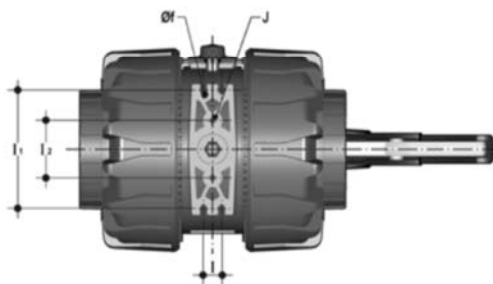
Note: Dimensions based on ANSI 150 Flanging Kit

support bracket



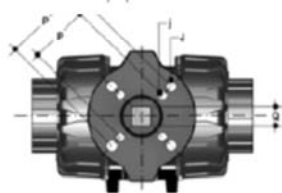
Dimension (inches)

Size	J	B	L	H
1/2	M4	1.24	0.79	1.06
3/4	M4	1.57	0.79	1.18
1	M4	1.57	0.79	1.18
1-1/4	M6	1.97	1.18	1.38
1-1/2	M6	1.97	1.18	1.38
2	M6	2.36	1.18	1.57



Dimension (inches)

Size	J	f	I	I ₁	I ₂
2-1/2	M6	0.25	0.69	3.54	2.04
3	M8	0.33	0.83	4.43	2.48
4	M8	0.33	0.83	5.39	2.64

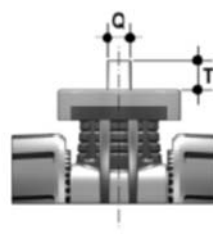
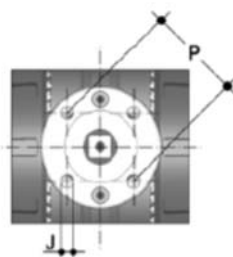


actuation pad

Dimension (inches)

Size	B ₂	p	P	J	J	T	Q
1/2	2.28	F03	F04	0.22	0.22	0.47	0.43
3/4	2.89	F03	F05	0.22	0.26	0.47	0.43
*3/4	2.89	F04		0.22		0.47	0.43
1	2.91	F03	F05	0.22	0.26	0.47	0.43
*1	2.91	F04		0.22		0.43	0.43
1-1/4	3.82	F05	F07	0.26	0.33	0.63	0.55
1-1/2	4.09	F05	F07	0.26	0.33	0.63	0.55
2	4.49	F05	F07	0.26	0.33	0.63	0.55

*Available upon request.



Dimension (inches)

Size	P	J	T	Q
2-1/2	F07	0.35	0.63	0.55
3	F07	0.35	0.63	0.55
4	F07	0.35	0.75	0.67

