

SERIES-VX

EXPLOSION PROOF



VRX SERIES



VSX SERIES



VTX SERIES (Soon)

Technical Specifications.....

VRX/VSX/VTX MODELS

DESCRIPTION

90° Electric actuator in aluminum housing with aluminum cover. Manual override by drive shaft or hand wheel
For torques of 221 to 8,851 lb-in (25 to 1,000 Nm)

STANDARD EQUIPMENT

VRX & VSX: Multi-Voltage Actuator at 100-240 VAC, 24 VAC/VDC, 125-320 VDC and 400 VAC 3 Phase
VTX: Multi-Voltage Actuator 240 VAC, 24 VAC/VDC and 400 VAC 3 Phase
Four adjustable limit switches 5 Amp
ISO 5211 mounting for three choices
F05-F07, F07-F10 or F10-F12
Star drive 17 mm, 22 mm or 36 mm
Manual override
Torque limiter
Visual position Indicator
Mechanical limit stops: Adjustable for VSX & VTX
Electric connections: Two ISO M20 Connectors
Internal 4 Watt Heating Resistor for VR & VS; 10 Watts for VT and 400 Volts

VERSIONS

On/Off, Three Points or Full Modulating
90° Standard with 180° or 270° on request
0-10 Volt or 4-20 mA Control Signal

TECHNICAL DATA

Duty cycle rating at maximum torque:
Two choices of 50% or 80% of operating time (CE134).
Working temperature: -4°F to +158°F (-20°C to +70°C)
Enclosure: Sealed IP67
Explosion Proof: Per ATEX - Group II, Cat. 2 G & D
EEx d IIB T6 - tD A21 IP67 T80°
LCIE 06 ATEX 6006X
Weight: VR = 8.8 lbs (4.0 kg)
VS = 14.3 lbs (6.5 Kg)
VT = 39.6 lbs (18.0 kg)

OPTIONS

Option Part Number	Rev. 3.19.2008	Description
EPR.B		Feedback Potentiometer: 0.1k, 1k, 5k or 10k Ohms
EPT.A1		Feedback Potentiometer: 4-20 mA
EFC.2		Two Extra 5 Amp Limit Switches with Card
ERI.B		Regulated 10 Watt Heating Resistor
EBS.24		Fail Safe Battery Backup

Options	Option 1	Option 1	Option 2	Option 2	Option 2	Option 3
Versions	ERI.B	ERT.B	EPR.B	EPT.B	EFC.2	EBS.24
On/Off	<input type="radio"/>	<input type="radio"/>	<input type="radio"/>	<input type="radio"/>	<input type="radio"/>	<input type="radio"/>
Modulating	<input type="radio"/>	<input type="radio"/>	<input type="radio"/>	<input type="radio"/>	<input type="radio"/>	<input type="radio"/>

EXPLOSION PROOF

DUTY CYCLE 50%

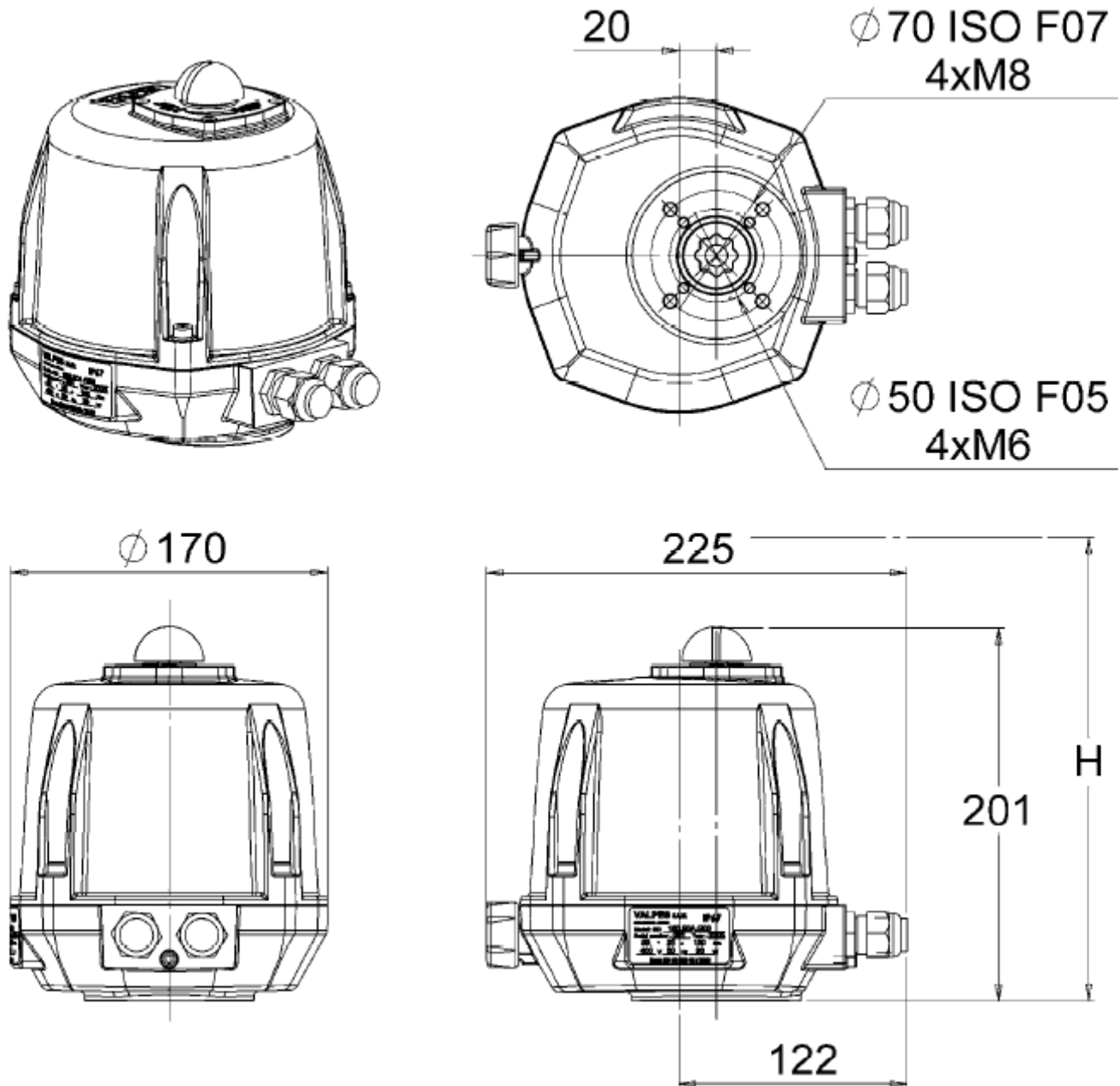
On/Off Model	Modulating Model	Star/Mount	Torque	Voltages	Power	Travel Time
VRX25.709.R00		17/F05-F07	221 lb-in/25 Nm	400 VAC 3 Phase	20 W	10 s
VRX25.70A.G00	VRX25.70A.GP5	17/F05-F07	221 lb-in/25 Nm	100 - 240 VAC	45 W	7 s/15 s
VRX25.703.G00	VRX25.703.GP5	17/F05-F07	221 lb-in/25 Nm	24 VAC/VDC	45 W	7 s/15 s
VRX45.709.R00		17/F05-F07	398 lb-in/45 Nm	400 VAC 3 Phase	52 W	10 s
VRX45.70A.G00	VRX45.70A.GP5	17/F05-F07	398 lb-in/45 Nm	100 - 240 VAC	45 W	15 s
VRX45.703.G00	VRX45.703.GP5	17/F05-F07	398 lb-in/45 Nm	24 VAC/VDC	45 W	15 s
VRX75.709.R00		17/F05-F07	664 lb-in/75 Nm	400 VAC 3 Phase	52 W	15 s
VRX75.70A.G00	VRX75.70A.GP5	17/F05-F07	664 lb-in/75 Nm	100 - 240 VAC	45 W	20 s
VRX75.703.G00	VRX75.703.GP5	17/F05-F07	664 lb-in/75 Nm	24 VAC/VDC	45 W	20 s
VSX100.909.R00		22/F07-F10	885 lb-in/100 Nm	400 VAC 3 Phase	135 W	10 s
VSX100.90A.G00	VSX100.90A.GP5	22/F07-F10	885 lb-in/100 Nm	100 - 240 VAC	45 W	15 s
VSX100.903.G00	VSX100.903.GP5	22/F07-F10	885 lb-in/100 Nm	24 VAC/VDC	45 W	15 s
VSX150.909.R00		22/F07-F10	1328 lb-in/150 Nm	400 VAC 3 Phase	135 W	20 s
VSX150.90A.G00	VSX150.90A.GP5	22/F07-F10	1328 lb-in/150 Nm	100 - 240 VAC	85 W	30 s
VSX150.903.G00	VSX150.903.GP5	22/F07-F10	1328 lb-in/150 Nm	24 VAC/VDC	85 W	30 s
VSX300.909.R00		22/F07-F10	2655 lb-in/300 Nm	400 VAC 3 Phase	135W	35 s
VSX300.90A.G00	VSX300.90A.GP5	22/F07-F10	2655 lb-in/300 Nm	100 - 240 VAC	85 W	50 s
VSX300.903.G00	VSX300.903.GP5	22/F07-F10	2655 lb-in/300 Nm	24 VAC/VDC	85 W	50 s
VTX600.A09.T00*		36/F10-F12	5310 lb-in/600 Nm	400 VAC 3 Phase	250 W	38 s
VTX600.A08.T00*		36/F10-F12	5310 lb-in/600 Nm	100 - 240 VAC	250 W	38 s
VTX600.A03.T00*		36/F10-F12	5310 lb-in/600 Nm	24 VAC/VDC	150 W	38 s
VTX1000.A09.T00*		36/F10-F12	8851 lb-in/1000 Nm	400 VAC 3 Phase	250 W	38 s
VTX1000.A08.T00*		36/F10-F12	8851 lb-in/1000 Nm	100 - 240 VAC	250 W	38 s
VTX1000.A03.T00*		36/F10-F12	8851 lb-in/1000 Nm	24 VAC/VDC	150 W	38 s

* Check with CR-TEC for availability

DUTY CYCLE 80%

On/Off Model	Modulating Model	Star/Mount	Torque	Voltages	Power	Travel Time
VRX25.70A.H00	VRX25.70A.HP5	17/F05-F07	222 lb-in/25 Nm	100 - 240 VAC	85 W	7 s/15 s
VRX25.703.H00	VRX25.703.HP5	17/F05-F07	222 lb-in/25 Nm	24 VAC/VDC	85 W	7 s/15 s
VRX45.70A.H00	VRX45.70A.HP5	17/F05-F07	398 lb-in/45 Nm	100 - 240 VAC	85 W	15 s
VRX45.703.H00	VRX45.703.HP5	17/F05-F07	398 lb-in/45 Nm	24 VAC/VDC	85 W	15 s
VRX75.70A.H00	VRX75.70A.HP5	17/F05-F07	664 lb-in/75 Nm	100 - 240 VAC	85 W	20 s
VRX75.703.H00	VRX75.703.HP5	17/F05-F07	664 lb-in/75 Nm	24 VAC/VDC	85 W	20 s
VSX100.90A.H00	VSX100.90A.HP5	22/F07-F10	885 lb-in/100 Nm	100 - 240 VAC	85 W	15 s
VSX100.903.H00	VSX100.903.HP5	22/F07-F10	885 lb-in/100 Nm	24 VAC/VDC	85 W	15 s
VSX150.90A.H00	VSX150.90A.HP5	22/F07-F10	1328 lb-in/150 Nm	100 - 240 VAC	85 W	30 s
VSX150.903.H00	VSX150.903.HP5	22/F07-F10	1328 lb-in/150 Nm	24 VAC/VDC	85 W	30 s
VSX300.90A.H00	VSX300.90A.HP5	22/F07-F10	2655 lb-in/300 Nm	100 - 240 VAC	85 W	50 s
VSX300.903.H00	VSX300.903.HP5	22/F07-F10	2655 lb-in/300 Nm	24 VAC/VDC	85 W	50 s

Actuator Dimensions (mm)



Actuator Dimensions (mm)

