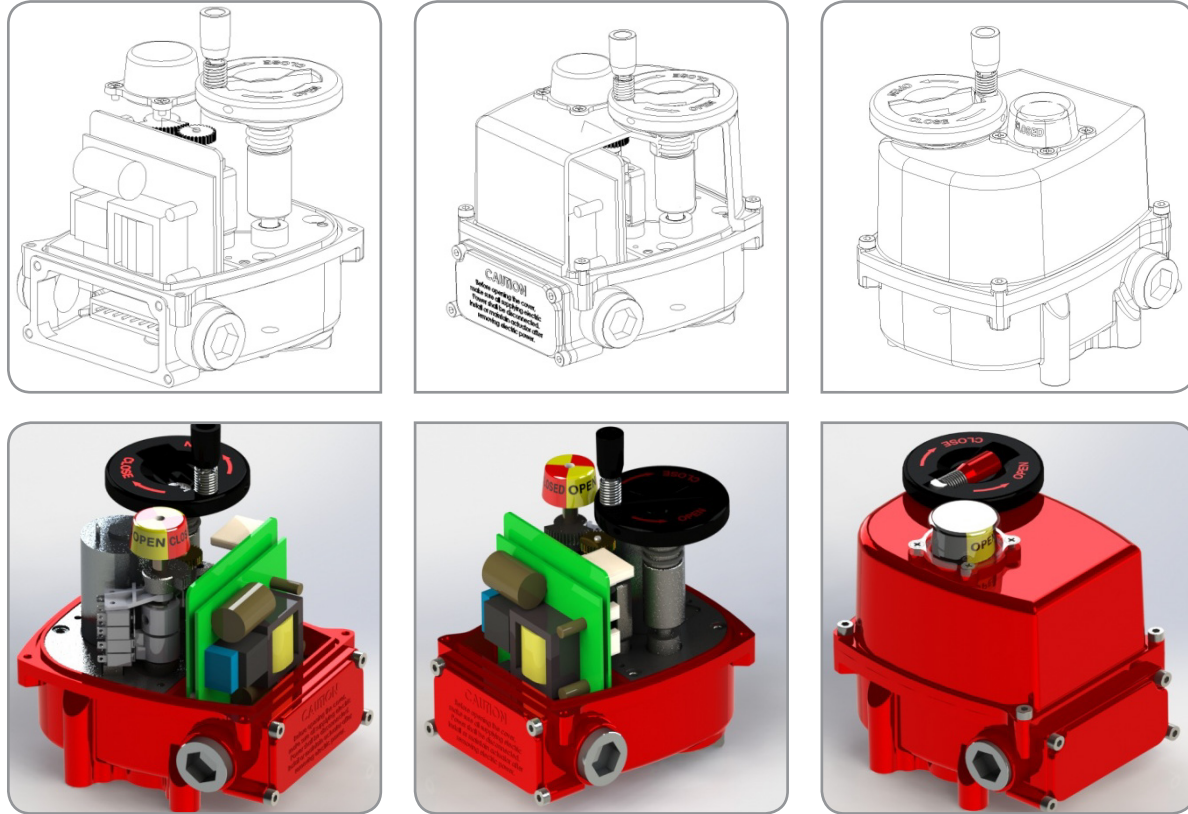


CR-TEC Engineering

Automated Valve Solutions



(Quarter turn)

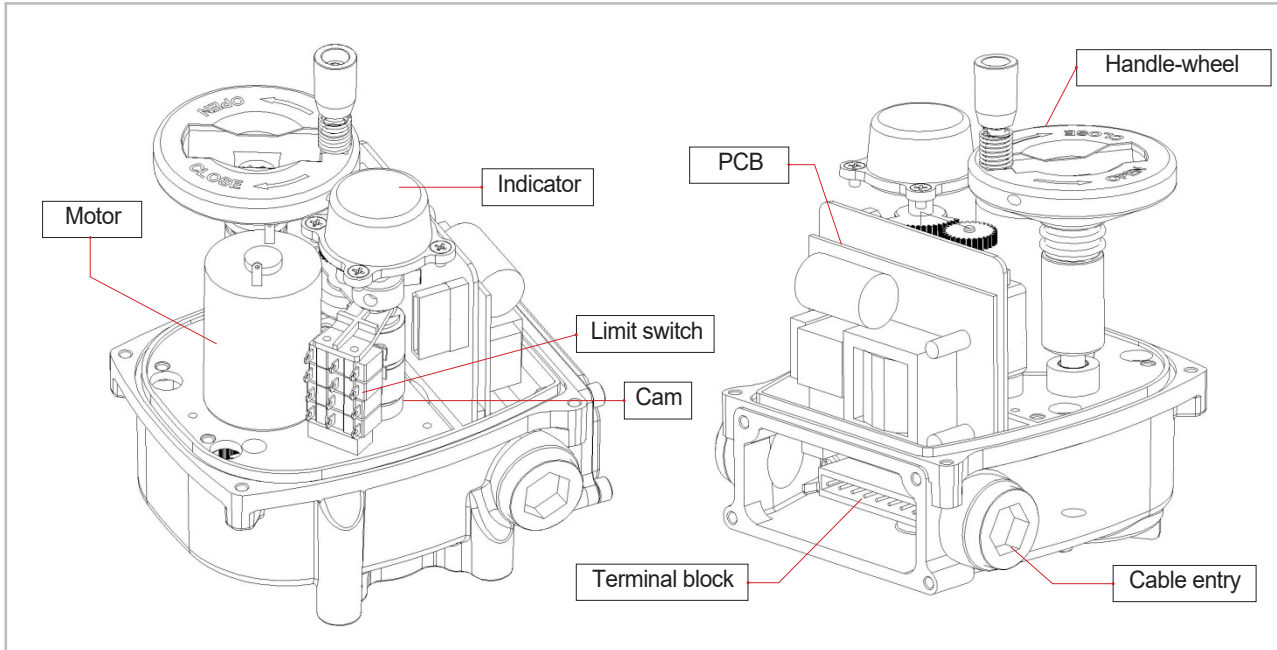
COMPACT ELECTRIC ACTUATOR

CR50S

443 lb-in (50 Nm) Torque Output
Simple Position Indicator
Smart & Compact Design
With Manual Lever
Weatherproof (IP67)
Wiring Type - 3 Wire or 4 Wire
CSA C22.2 No. 14:2013
UL 508:1999/R:2013-10

Electric Quarter-turn Actuator

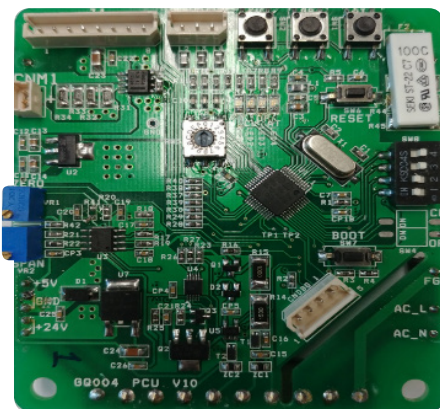
► Structure



► Features

- Compact & Durable Structure
- Weather-proof type(IP67) against water or dust
- Easy and Simple Manual Operation with Handle-Wheel
- Quick & Safe connecting : Plug-In Wire connector
- Flexible Mounting Base : ISO5211, F05/07 with 14mm Double Square
- CSA C22.2 No. 14:2013
- UL 508:1999/R:2013-10

► Proportional Control Unit



- Power : 95~245VAC, 50/60HZ
4VA Max – Changeable by DIP switch
- Input signal : 4~20mA, 0~10VDC, 2~10VDC
- Output signal : 4~20mA, 0~10VDC, 2~10VDC
- Auto setting, dead band, delay time setting etc.

Electric Quarter-turn Actuator

► Performance

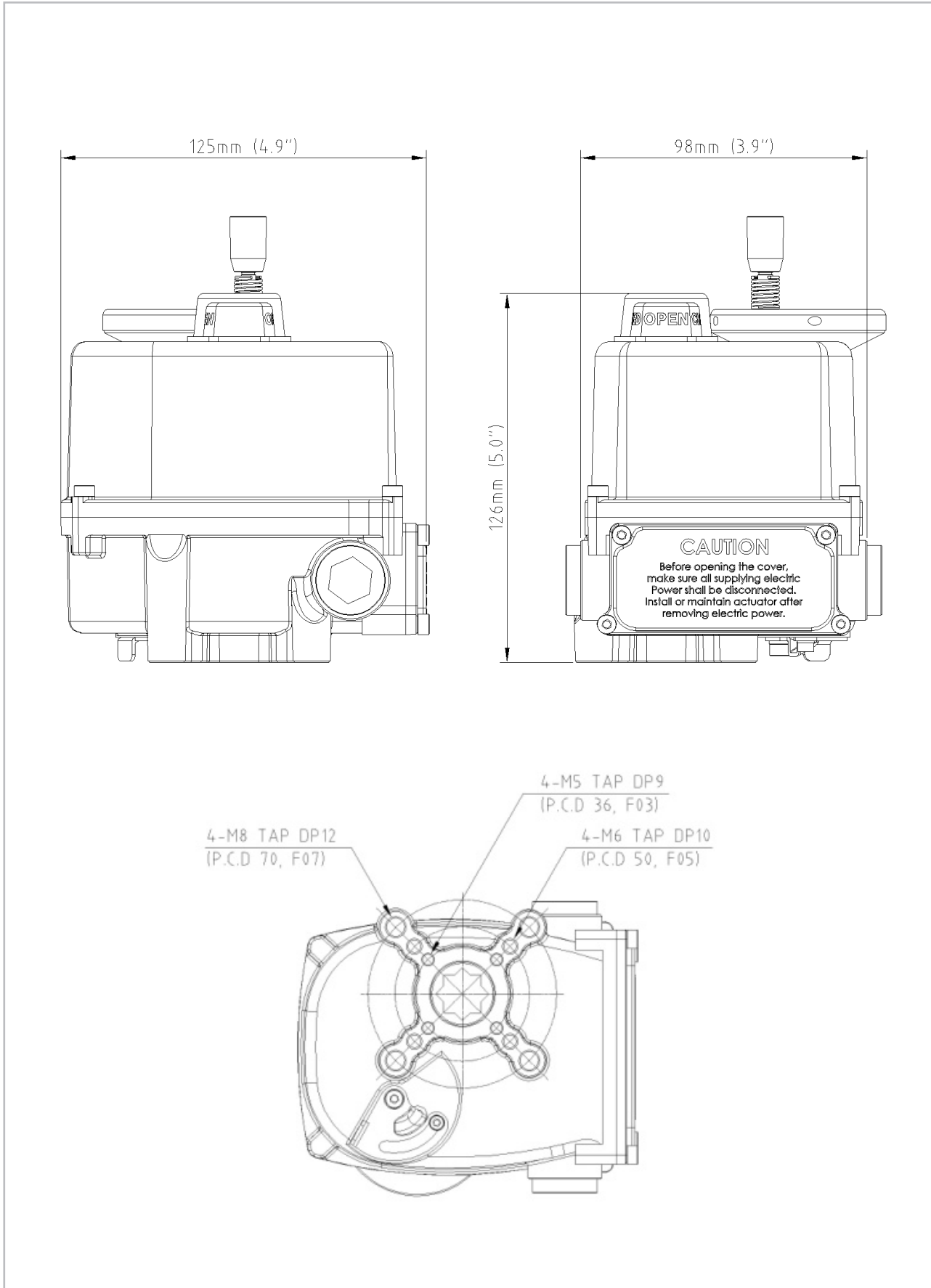
Model	Output Torque		Operating Time 50/60Hz	Supplying Power (50/60Hz, 1 phase)	Duty Cycle IEC 34-1	Electric Motor IEC 34-1	Mounting (ISO 5211)	Bottom Bore (mm)	Weight
	Kg.m	N.m	90°						
CR50S	5	50	13 sec	V1=95V~245VAC (free) V2=24V AC/DC	S4 50%	S2 30MIN	F03 F05 F07	14 x 14	1, 2Kg

► Specification

Model	CR50S Open/Close	CR50S Modulating
Voltage ±10%	95 to 245 VAC 50/60 Hz, 1Ph 24 VAC 50/60 Hz and 24 VDC	
Power Consumption - Operation	20 W Max	
Power Consumption - Idle	1.5 W Max	
Motor	Enclosure S2 30Min	S4 50% 1200 Start/hour
Input/Output Signal	DC 4~20mA, 0~10V, 2~10V	
Input/Output Position Conversion Accuracy	±1%	
Duty Cycle / IEC 34-1	50%	
Limit Switches Max Voltage	250 V AC/DC	
Limit Switches Current	1 mA to 5 A Max	
Wire Size	12 to 18 AWG (Use Solid Wires)	
Anticondensation heater	1W	
Ambient Temperature	-4° F to 140° F (-20° C to 60° C)	
Ambient humidity	90% RH Max. (non-condensing)	
Cable entry	TERMINAL BOX TYPE (PF ½"), (M20 1.5P)	
Manual override	17 Turns	
Materials	Aluminum alloy	
Bottom Flange ISO5211 Code	F03 / F05 / F07	
Bottom Bore	14 X 14 (19mm Deep)	
Operation Time (No Load)	13 sec.	
INDICATOR	DOME TYPE MECHANICAL INDICATOR	
TRAVEL ANGLE ±5°	90°	
Enclosure	WEATHER PROOF IP67	

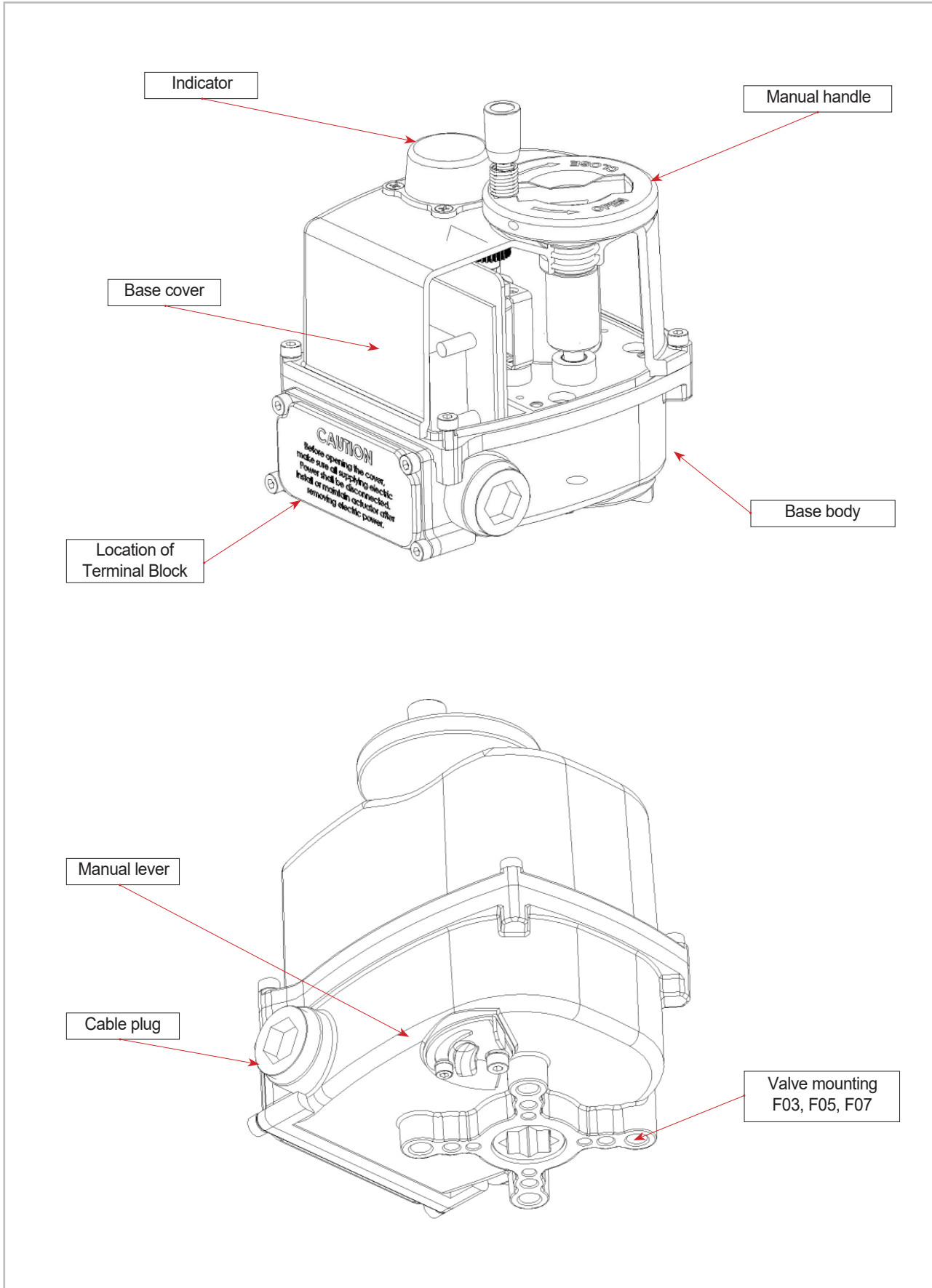
Electric Quarter-turn Actuator

► Outline dimension



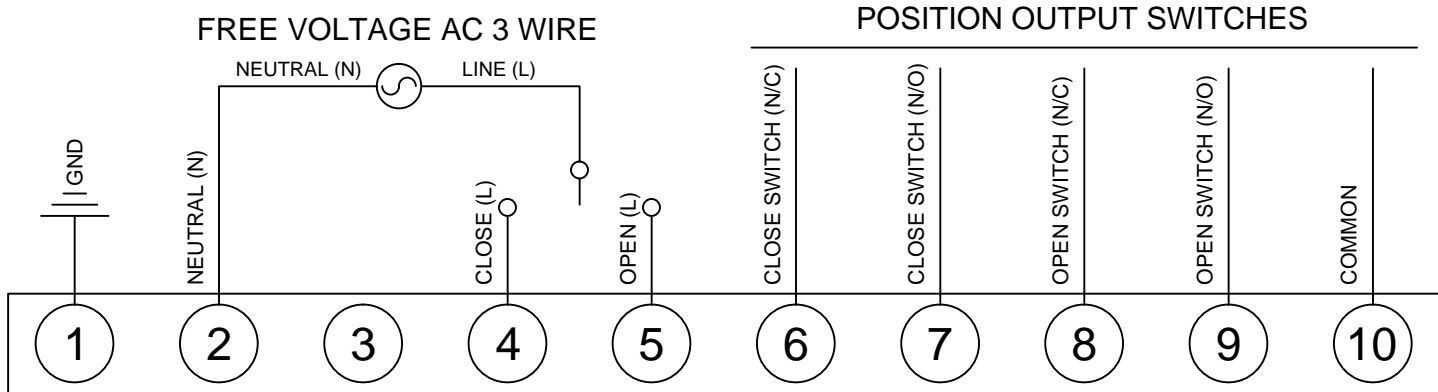
Electric Quarter-turn Actuator

► Construction

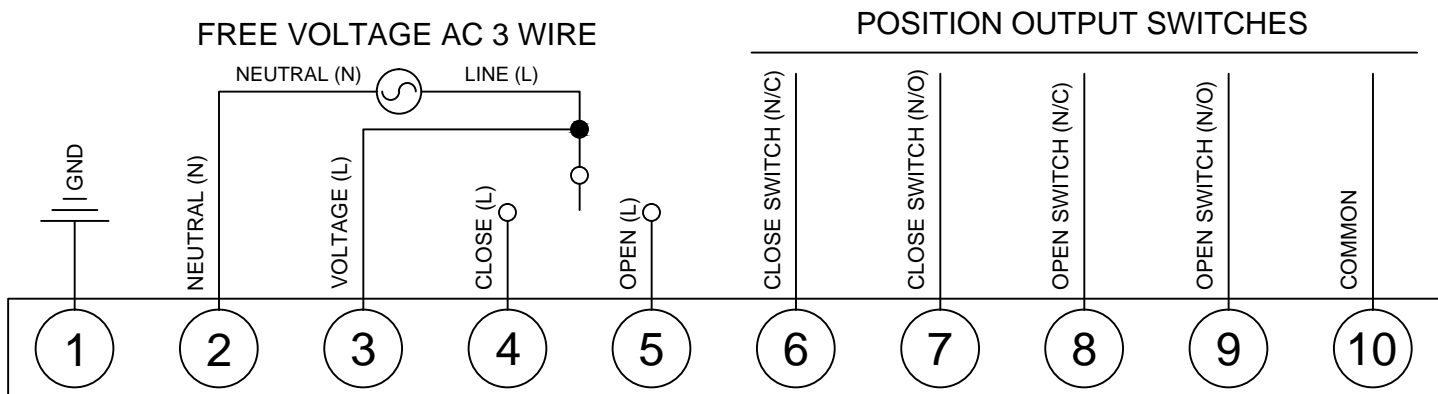


Electric Quarter-turn Actuator

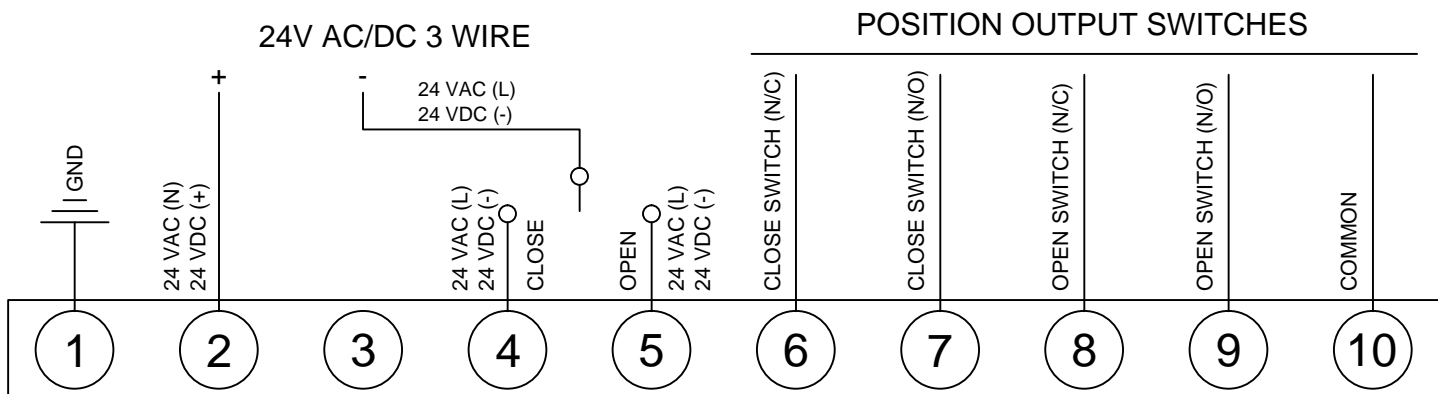
► Connection Wiring



Free Voltage AC 3 WIRE (ON - OFF)



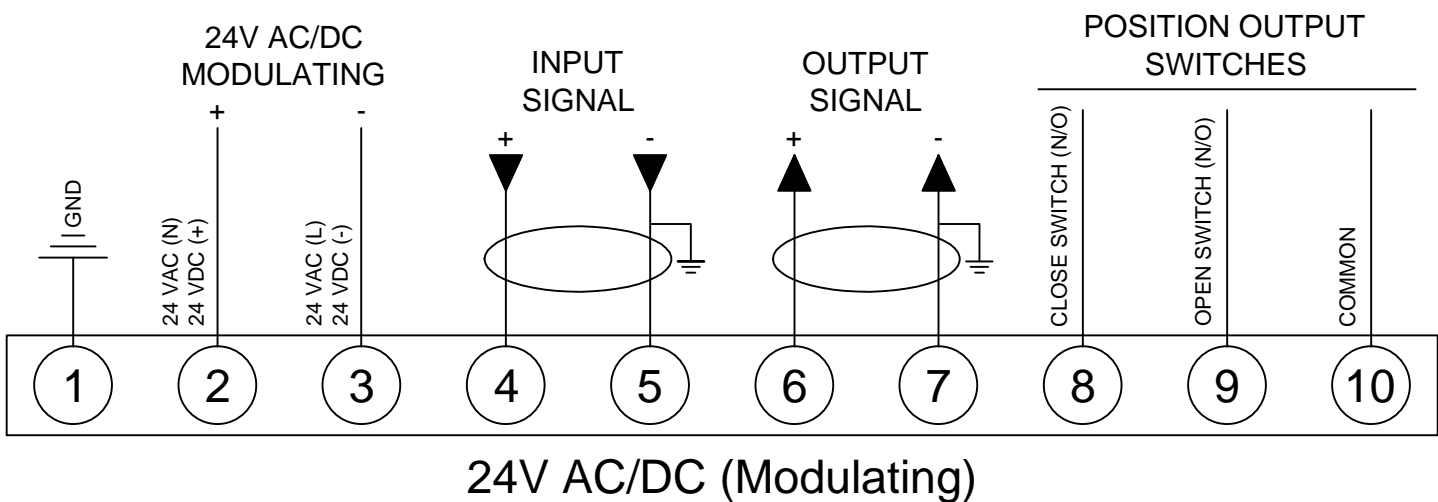
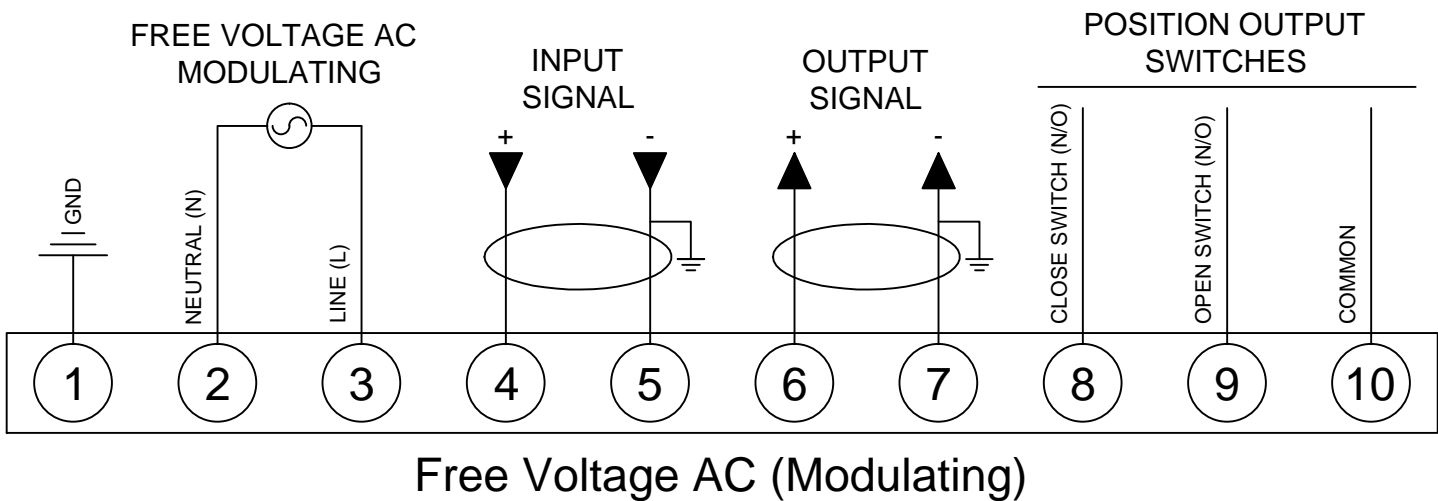
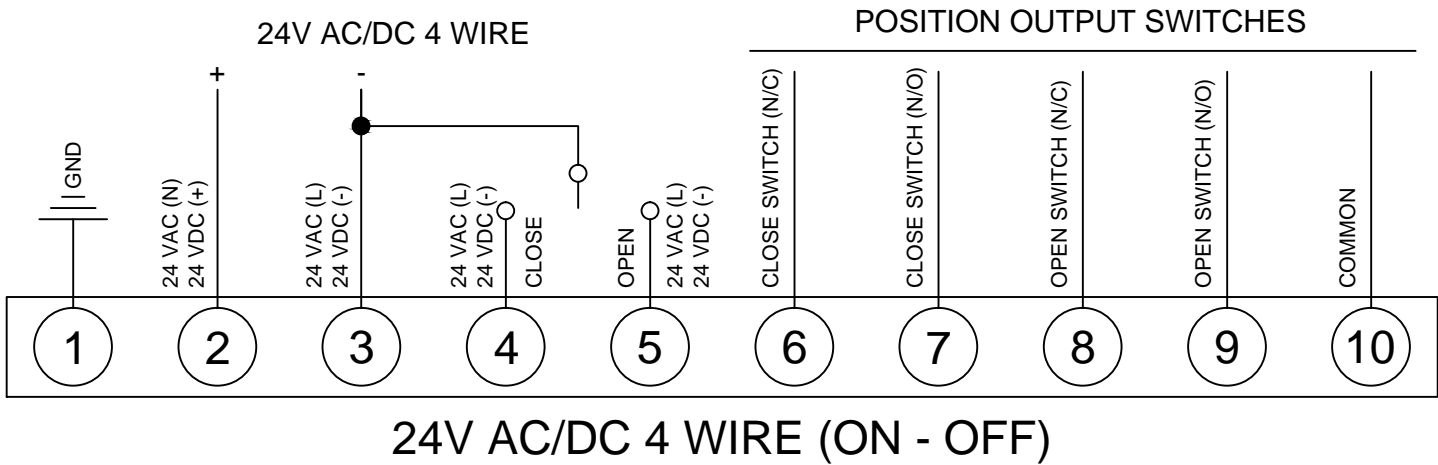
Free Voltage AC 4 WIRE (ON - OFF)



24V AC/DC 3 WIRE (ON - OFF)

Electric Quarter-turn Actuator

► Connection Wiring



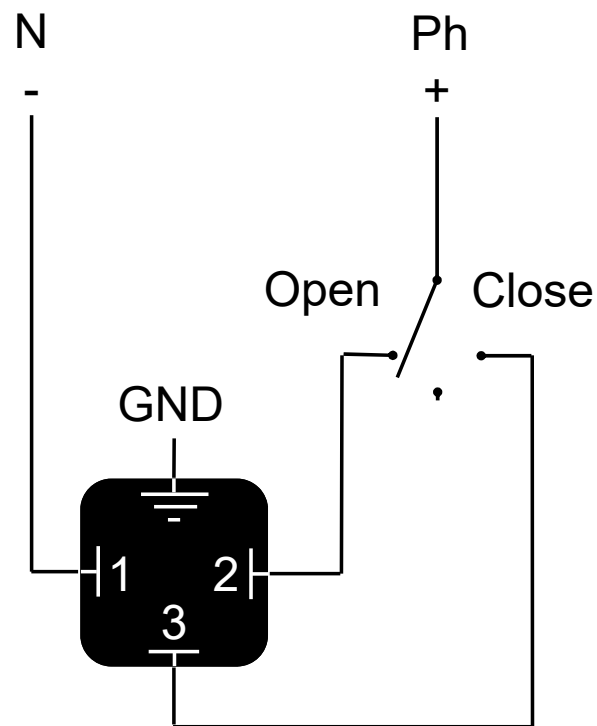
Electric Quarter-turn Actuator

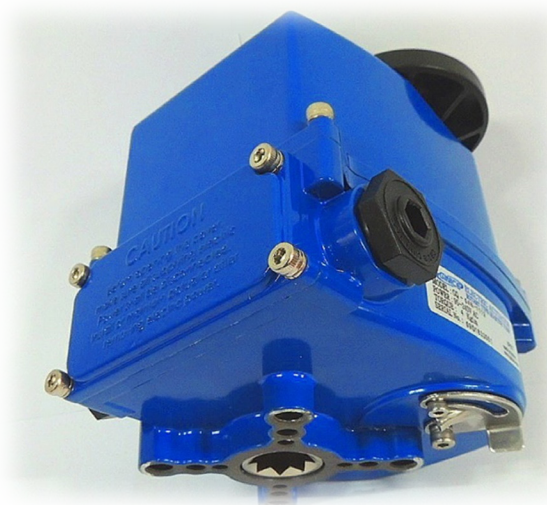
► Connection Wiring - DIN

POWER SUPPLY : 3P+T DIN43650 CONNECTOR

SUGGESTED CUSTOMER WIRING

3-Position Switch Control





CR-TEC reserves the right to change or remove products or services from its range at any time and without prior notification or obligation. CR-TEC does not assume any liability for consequences resulting from the use of this document. There is no guarantee that the information provided here is complete, accurate or up to date.

CR-TEC Engineering Inc.