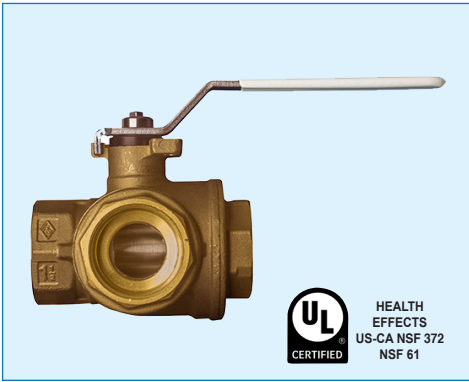


CR-TEC Engineering

Automated Valve Solutions



CRBLF356R

STANDARD PORT 3-WAY LEAD FREE DIRECT MOUNT BRASS

T-PORTED OR L-PORTED WITH NPT ENDS

1/4" TO 3"

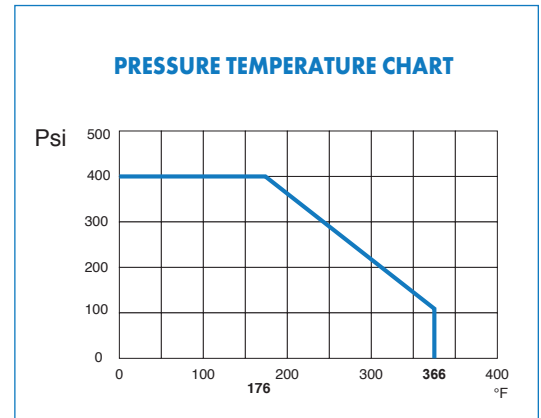
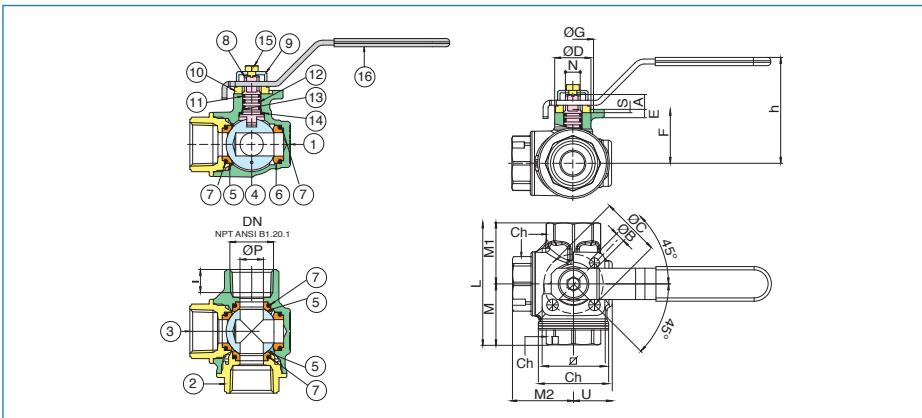
SPECIFICATIONS

VALVE FEATURES

- 3-way Standard Port Direct Mount LF Brass
- Pressure rating 400 WOG - 100 WSP
- Temperature range: -4°F to 366°F
- Blow out proof stem, T.E.A. coated LF brass ball
- P.T.F.E. seats with O-ring backing for low operating torque
- P.T.F.E. seats and double O-ring stem packing
- 100% electronically tested in the open and closed position at 80 psi
- Ideally suited for drinking water
- Four seat design for sealing between pressurized ports

The CRBLF356R series is a lead free, forged brass, four seated, L ported or T ported diverter ball valve, that can also be used as a shut-off. The four seats allow the user to use any port as an entry and take continuous flow to another direction when needed. Standard ASME/ANSI B1.20.1 thread depths.

Due to O-ring back seating and O-ring stem seals, both valve series feature extremely low torque for automation. These valves are ISO 5211 direct mounting coupled with solid square stem engagement.



N POS	PART NAME	MATERIAL	N POS
1	BODY	LF BRASS C28500*	1
2	END CONNECTION	LF BRASS C28500*	1
3	END CONNECTION	LF BRASS C28500*	1
4	BALL	LF BRASS C28500*	1
5	BALL SEAT	P.T.F.E.	3
6	BALL SEAT	P.T.F.E.	1
7	O-RING	FKM (Viton)	4
8	STEM	LF BRASS C28500*	1
9	BUSH	BRASS 38500	1
10	WASHER	NYLON (PA6)	1
11	THRUST WASHER	P.T.F.E.	1
12	O-RING	EPDM	1
13	O-RING	FKM (Viton)	1
14	THRUST WASHER	P.T.F.E.	1
15	SCREW	STEEL CL 8.8	1
16	HANDLE	STEEL DD11	1

SIZE	ØP	ØH	I	L	Ch	A	ØB	ØC	ØD	E	F	Stem Size	ØG	M	M1	M2	N	S	U	h	R	Cv T-PORT	Cv L-PORT	psi	Weight in. lbs. T-PORT	Weight in. lbs. L-PORT	Break Torque in. lbs.
1/4"	0.39	1.42	0.39	2.36	0.79	0.35	0.24	1.42	0.99	0.20	1.20	9	0.87	1.18	1.18	1.18	0.35	0.08	0.79	2.44	4.72	3.26	3.50	400	0.99	1.03	17.70
3/8"	0.43	1.42	0.41	2.44	0.79	0.35	0.24	1.42	0.99	0.20	1.20	9	0.87	1.22	1.22	1.22	0.35	0.08	0.79	2.44	4.72	3.50	4.08	400	0.95	0.99	17.70
1/2"	0.43	1.42	0.54	2.78	0.98	0.35	0.24	1.42	0.99	0.20	1.20	9	0.87	1.39	1.39	1.40	0.35	0.08	0.79	2.44	4.72	4.20	5.02	400	1.04	1.07	17.70
3/4"	0.55	1.67	0.55	2.95	1.22	0.35	0.24	1.42	0.99	0.20	1.29	9	0.87	1.48	1.48	1.48	0.35	0.08	0.93	2.52	4.72	7.00	7.70	400	1.36	1.39	26.60
1"	0.75	2.01	0.66	3.50	1.50	0.43	0.28	1.97	1.38	0.28	1.63	11	0.94	1.75	1.75	1.75	0.43	0.12	1.07	2.95	6.79	12.83	14.24	400	2.38	2.44	26.60
1-1/4"	0.95	2.62	0.68	4.04	1.89	0.43	0.28	1.97	1.38	0.28	1.85	11	0.94	2.05	1.99	1.99	0.43	0.12	1.31	3.17	6.79	18.67	19.72	400	3.75	3.81	53.10
1-1/2"	1.18	3.07	0.68	4.66	2.13	0.43	0.28	1.97	1.38	0.28	2.34	11	1.26	2.43	2.22	2.43	0.43	0.12	1.57	3.66	6.79	29.75	30.69	400	5.66	5.81	88.50
2"	1.50	3.70	0.70	5.41	2.64	0.59	0.35	2.76	2.17	0.31	2.91	14	1.46	2.89	2.52	2.89	0.55	0.12	1.82	4.37	9.06	43.76	48.58	400	9.65	9.92	106.20
2-1/2"	1.95	4.65	0.93	6.50	3.35	0.59	0.35	2.76	2.17	0.35	3.35	14	2.17	3.39	3.11	3.39	0.55	0.12	2.26	4.53	9.06	62.42	64.74	400	17.15	17.78	274.40
3"	1.95	4.65	1.02	6.50	4.13	0.59	0.35	2.76	2.17	0.31	3.35	14	2.17	3.74	3.21	3.62	0.55	0.12	2.26	4.53	9.06	62.42	64.74	400	20.43	21.07	354.30