

CR-TEC Engineering

Automated Valve Solutions

CRP322F Series - 3-Way BALL VALVE, PVC-U/PP-H, DN15 (1/2") to DN50 (2")
HORIZONTAL 3-WAY, T or L PORT, MANUAL OR WITH ACTUATION KIT



3-way - manual
PVC-U



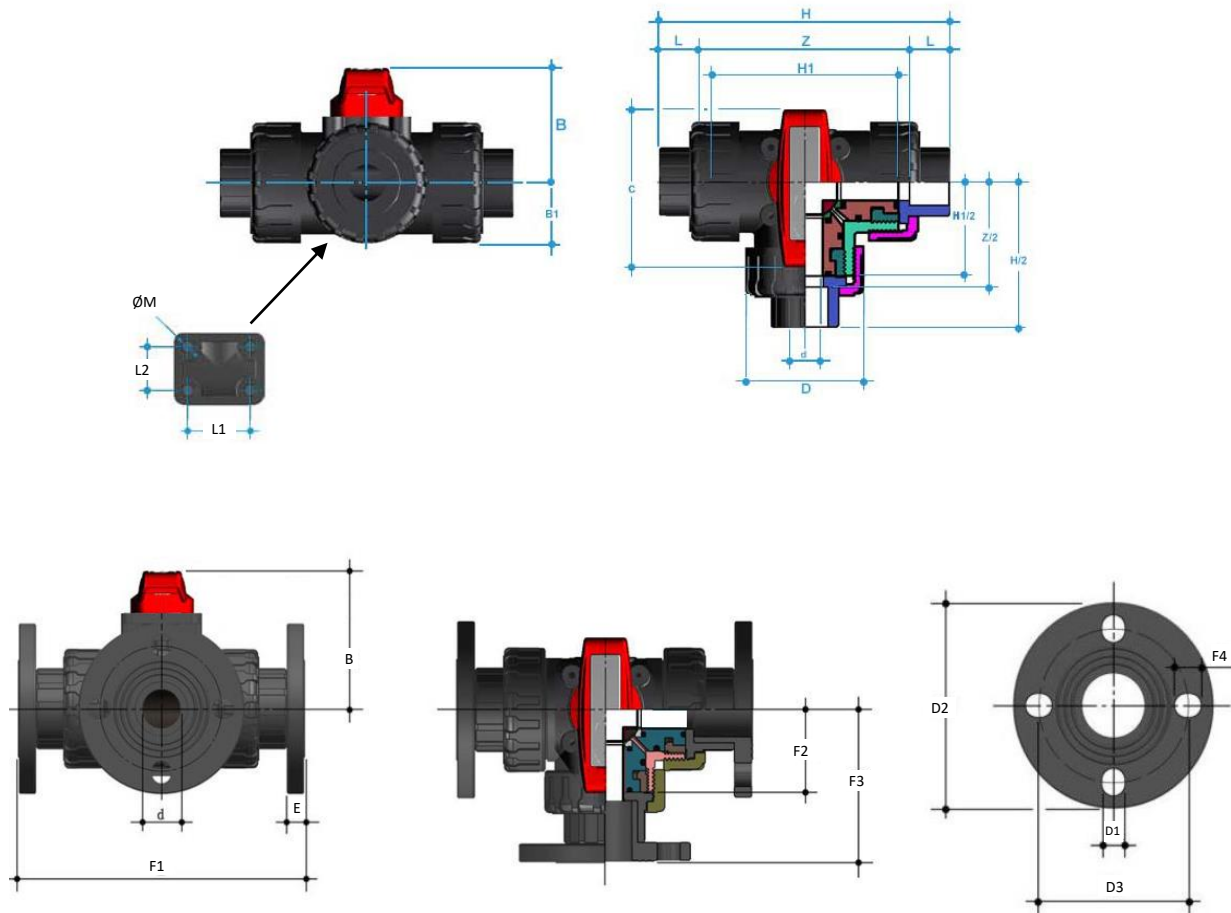
3-way – with actuation kit
PVC-U

MAIN FEATURES

- PTFE Seats.
- EPDM or FPM O-rings behind seats.
- 2 seals on the spindle for an optimal sealing.
- Ready for actuation.
- Ball available in L or T port.
- Union connections allow the use of a wide range of fittings.

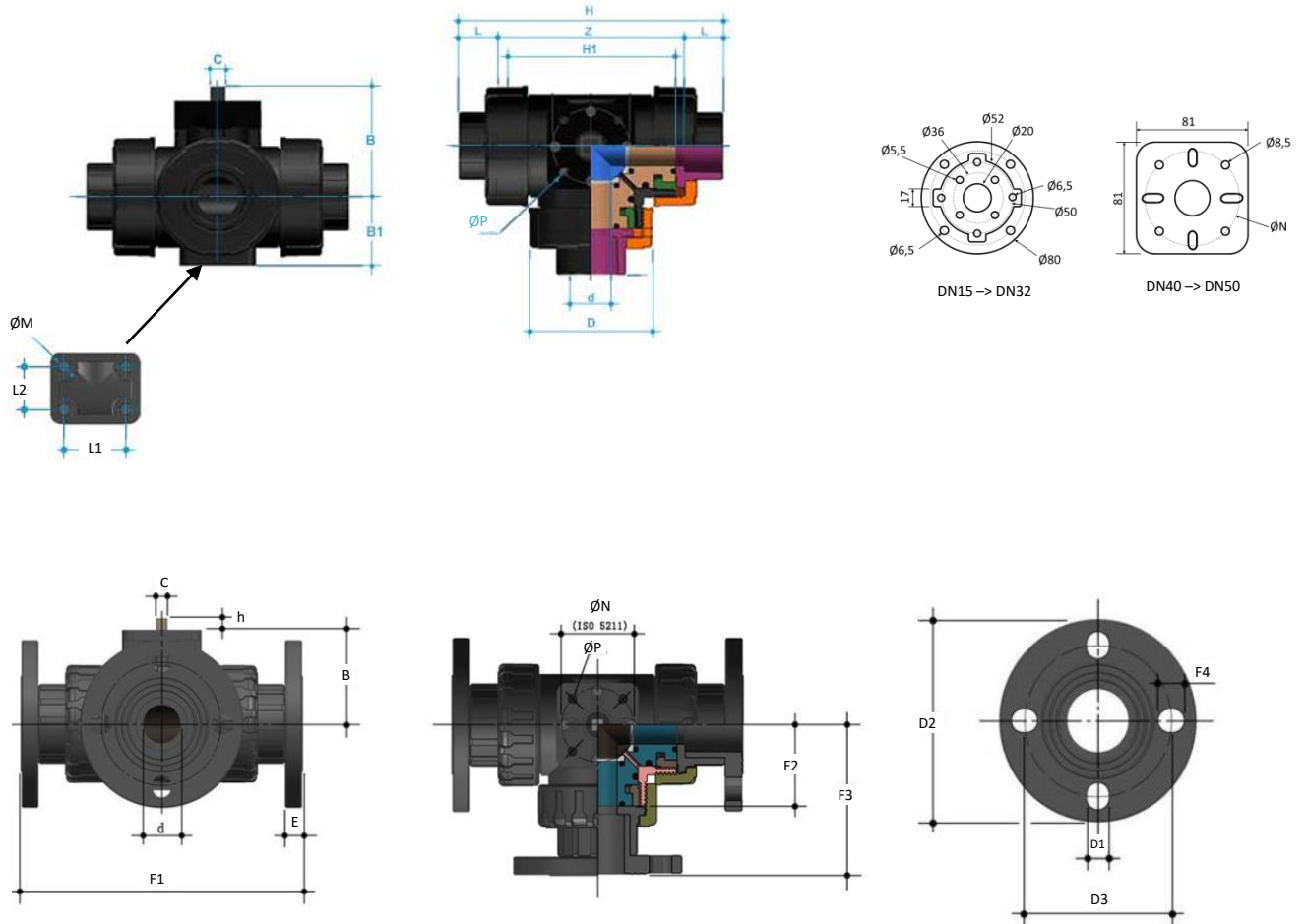
DIMENSIONS

Manual version



Size	B	B1	C	D	d	D1	D2	D3	E	F1	F2	F3	F4	H	H1	L	L1	L2	ØM	Z
DN15 (1/2")	65	30	90	54	15	14,8	94	64	13,5	164	41	82	20	137	81	22	26	18	M5	93
DN20 (3/4")	65	38,5	90	69	20	14,8	105	71,8	14	200	55	100	17,8	172	109	24,5	26	18	M5	123
DN25 (1")	68	46	109	82	25	16	117	84	15,2	231	65	115,5	22	200	130	28	36	24	M5	144
DN32 (1 ¼")	68	46	109	82	32	16	139	93	16	239	65	119,5	22	208	130	32	36	24	M5	144
DN40 (1 ½")	107	65	134	117	40	18,8	150	104	17,5	274	77	137	25	240	154	36	50	30	M6	174
DN50 (2")	107	65	134	117	40	18,8	165	123	18,5	283	77	141,5	25	246	154	36	50	30	M6	174

With actuation kit



SIZE	B	B1	D	d	D1	D2	D3	E	F1	F2	F3	F4	H	H1	L	L1	L2	ØM	Z
DN15 (1/2")	65	30	54	15	14,8	94	64	13,5	164	41	82	20	137	81	22	26	18	M5	93
DN20 (3/4")	65	38,5	69	20	14,8	105	71,8	14	200	55	100	17,8	172	109	24,5	26	18	M5	123
DN25 (1")	68	46	82	25	16	117	84	15,2	231	65	115.5	22	200	130	28	36	24	M5	144
DN32 (1 ¼")	68	46	82	32	16	139	93	16	239	65	119.5	22	208	130	32	36	24	M5	144
DN40 (1 ½")	107	65	117	40	18,8	150	104	17,5	274	77	137	25	240	154	36	50	30	M6	174
DN50 (2")	107	65	117	40	18,8	165	123	18,5	283	77	141,5	25	246	154	36	50	30	M6	174

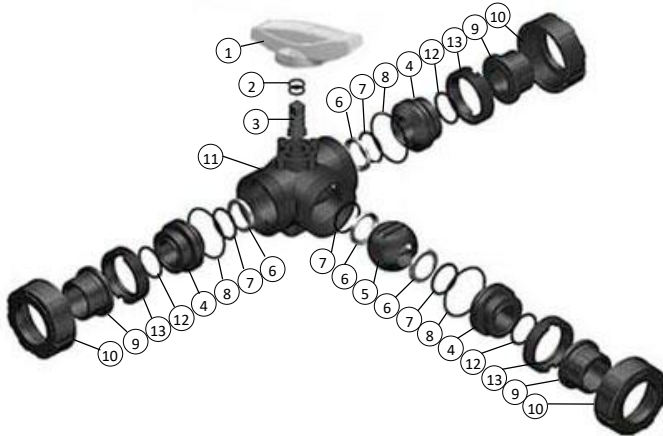
SIZE	C	h	ØN	ØP
DN15 (1/2")	11x11	14	F03	5,5
DN20 (3/4")	11x11	14	F03	5,5
DN25 (1")	11x11	14	F03	5,5
DN32 (1 ¼")	11x11	14	F03	5,5
DN40 (1 ½")	14x14*	16	F05	8,5
DN50 (2")	14x14*	16	F05	8,5

*14x14 : spindle 11x11 + a CF11xEF14 adapter

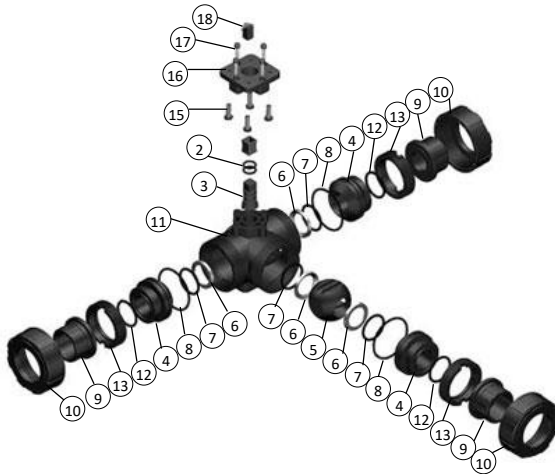
SIZE	Operating torque (N.m)
DN15 (1/2")	3,5
DN20 (3/4")	3,5
DN25 (1")	4,5
DN32 (1 ¼")	4,5
DN40 (1 ½")	5,5
DN50 (2")	5,5

PARTS LIST

Manual version



With actuation kit

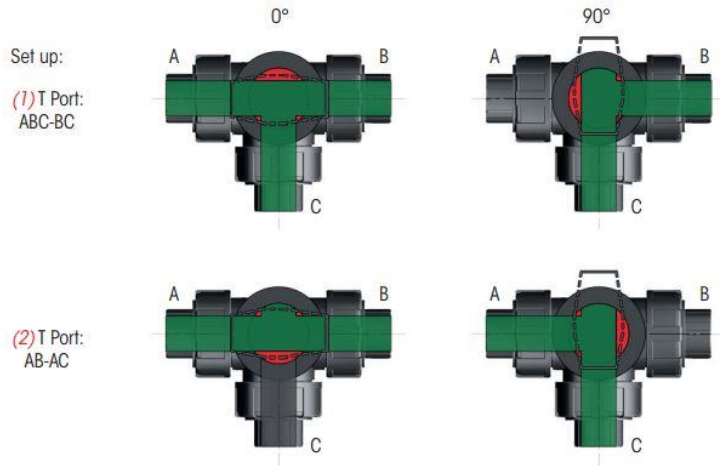


Item	Description	Material
1	Handle	PVC
2	Stem O-ring	EPDM
3	Stem	PVC/PP-H
4	Support for ball seat	PVC/PP-H
5	Ball	PVC/PP-H
6	Ball seat	PTFE
7	Support O-ring for ball seat	EPDM
8	Radial seal O-ring	EPD
9	End connector or Flange	PVC/PP-H
10	Union nut	PVC/PP-H
11	Valve body	PVC/PP-H
12	Socket/flange seal O-ring	EPDM
13	Stop Ring	PVC/PP-H
14	Adaptator	INOX
15	Screw	INOX
16	Bracket	NYLON
17	Screw	INOX
18	Square drive	INOX

T OR L PORT

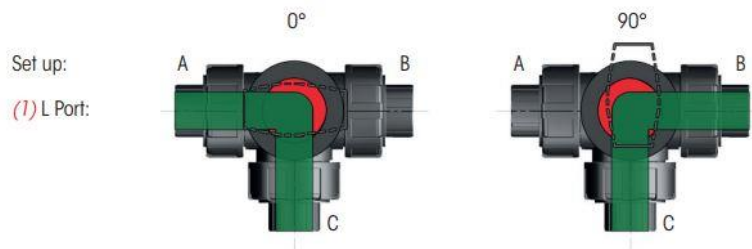
MANUAL version

T port



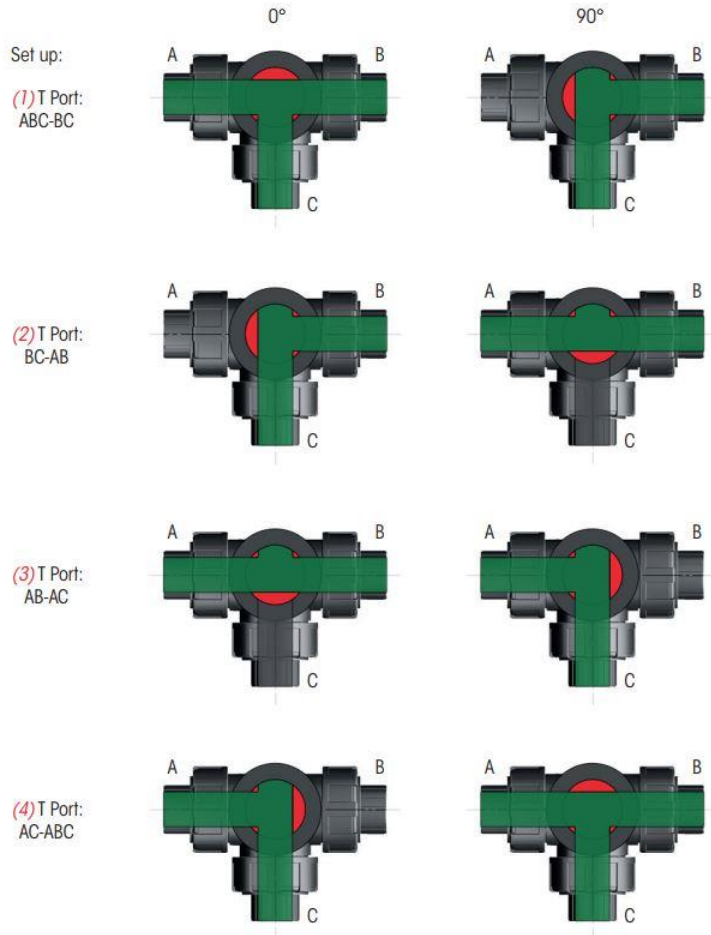
When ordering a valve with T-port ball, please specify the desired version (ABC-BC or AB-AC), see diagram above.

L port



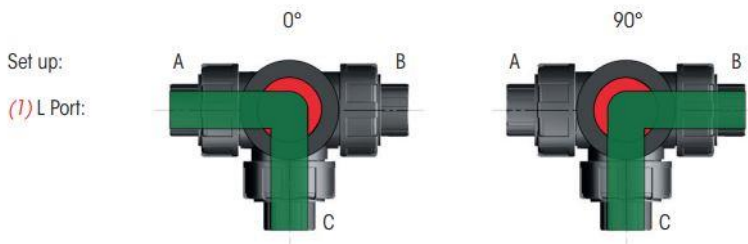
ACTUATED VERSION

T port

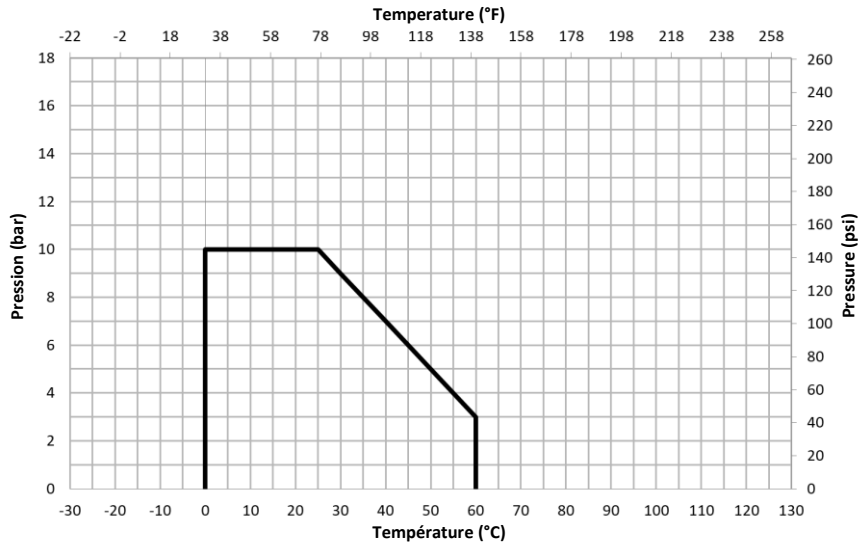


When ordering an actuated valve with T-port ball, please specify the desired version (see diagram above)

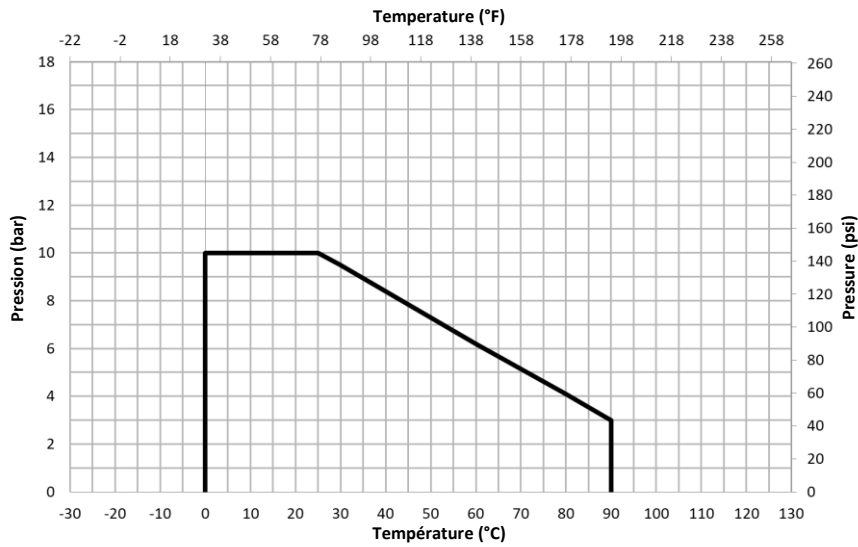
L port



PRESSURE / TEMPERATURE CURVES



PVC-U



PP-H

Pressure/Temperature Summary

DN	Material	Type of seals	Working Pressure	Operating Temperature
				PVC-U
DN15 to DN50	PVC-U	EPDM	10 bars at 20°C	0°C to +60°C
DN15 to DN50	PP-H	EPDM	10 bars at 20°C	0°C to +90°C

CHEMICAL RESISTANCE

The chemical resistance of the valve is subject to the type of fluid, the temperature, the pressure, as well as the materials and seals of the valve.

Please contact us to have a personalized analysis of the resistance of one of our products to a given fluid